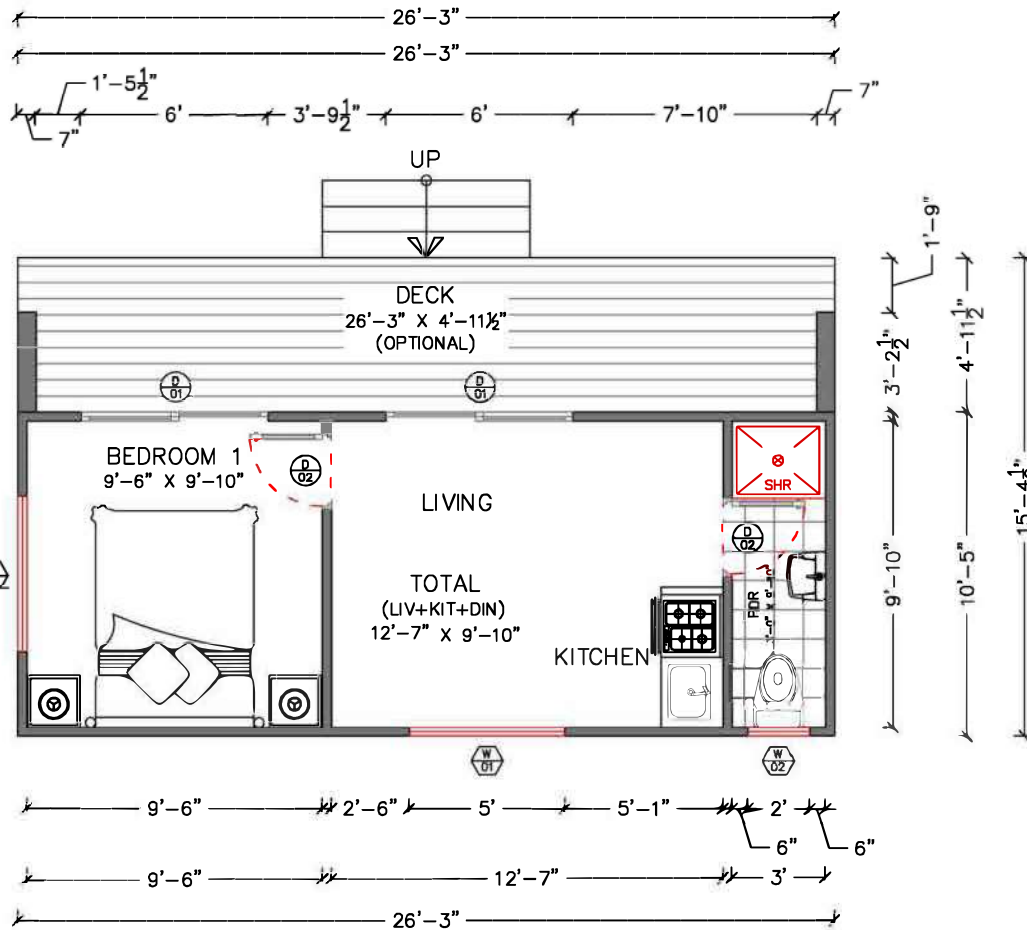




WAVE 1BD 1BA 270 SQ.FT.





AREA SCHEDULE

DECK	133.00 SF
GROUND FLOOR LIVING	270.00 SF
TOTAL AREA	403.00 SF

SCHEDULE OF DOORS

DOOR MK	DOOR SIZE		DOOR ROU. OPNG.		NOS. REQD.
	W	HT	W	HT	
D1	72"	80"	72.5"	80.75"	02
D2	30"	80"	32"	82"	02

SCHEDULE OF WINDOWS

WINDOW MK	GF. WINDOW SIZE		GF. WINDOW ROU. OPNG.		NOS. REQD.
	W	HT	W	HT	
W1	60"	30"	60.5"	30.5"	02
W2	24"	24"	24.5"	24.5"	01

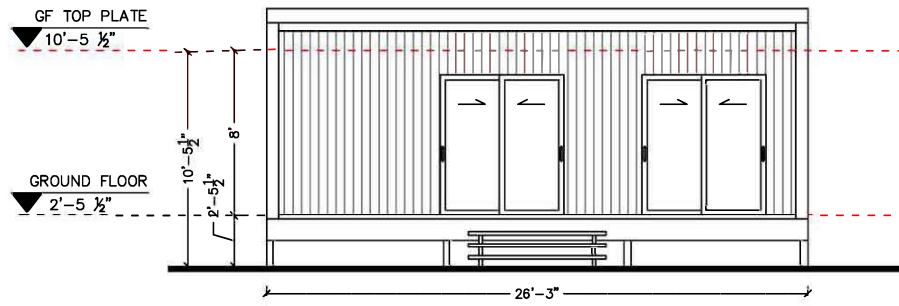
1 GROUND FLOOR PLAN
SCALE= 1:100

GROUND FLOOR PLAN

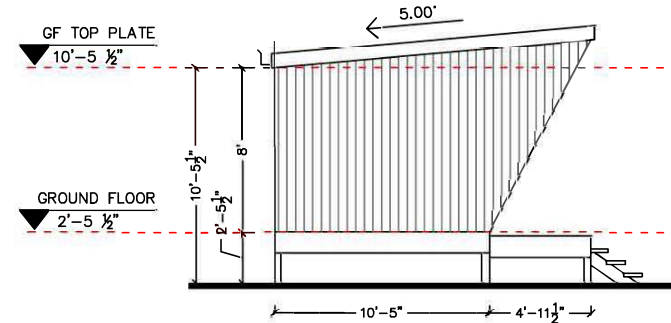
DESIGN: Wave 270 SF	ADDRESS: Los Angeles	S.P.:	ISSUE:	REV	DATE	DESCRIPTION	DRAWN	CHECKED
STAGED PLAN: PRELIMINARY		SCALE 1:100 @ A3						
CLIENT:	USE FIGURED DIMENSIONS AT ALL TIMES. REFER ANY ENQUIRES TO BUILDING CONTRACTOR. ALL DIMENSIONS TO BE VERIFIED ON SITE PRIOR TO CONSTRUCTION. ALL WORK TO COMPLY WITH LOCAL AUTHORITY REGULATIONS.							
		DWG NO: AR-001	LAND AREA:					

PRELIM PLANS NOT FOR CONSTRUCTION

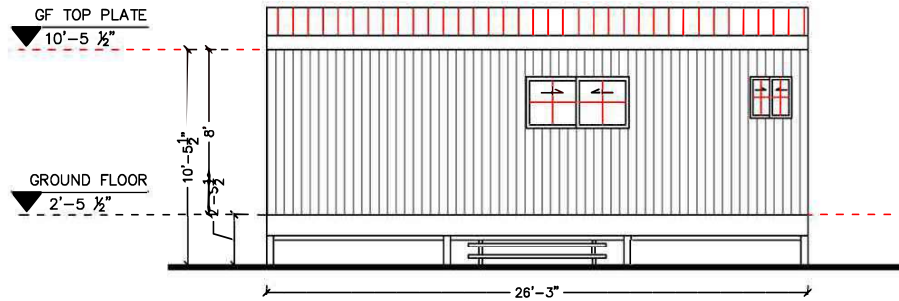




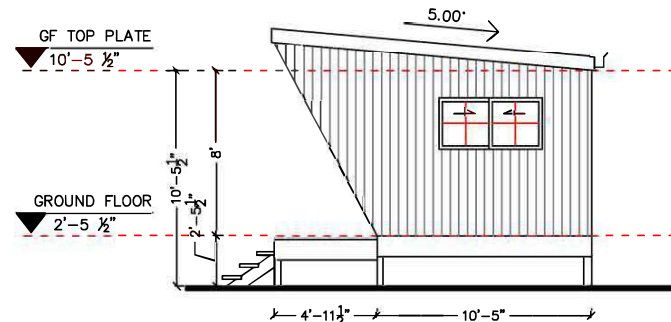
1 FRONT ELEVATION
SCALE= 1:100



1 LEFT SIDE ELEVATION
SCALE= 1:100



1 REAR ELEVATION
SCALE= 1:100



1 RIGHT SIDE ELEVATION
SCALE= 1:100

ELEVATIONS

DESIGN: Wave 270 SF	ADDRESS: Los Angeles	S.P.:	ISSUE:	REV	DATE	DESCRIPTION	DRAWN	CHECKED
STAGED PLAN: PRELIMINARY		SCALE 1:100 @ A3						
CLIENT:	USE FIGURED DIMENSIONS AT ALL TIMES. REFER ANY ENQUIRES TO BUILDING CONTRACTOR. ALL DIMENSIONS TO BE VERIFIED ON SITE PRIOR TO CONSTRUCTION. ALL WORK TO COMPLY WITH LOCAL AUTHORITY REGULATIONS.	DWG NO: AR-002	LAND AREA:					

PRELIM PLANS NOT FOR
CONSTRUCTION



Drawings are not to scale. Colors and materials indicative only and are subject to change



Options available

- For any modifications to the plans, please contact us at info@welldone1kithomes.com

Please refer to the floor plans for recommendations on your interior layout.

Website : www.welldone1kithomes.com
Email : info@welldone1kithomes.com

DESIGN: Wave 270 SF	STAGED PLAN:: PRELIMINARY	ADDRESS: US	USE FIGURED DIMENSIONS AT ALL TIMES. REFER ANY ENQUIRES TO BUILDING CONTRACTOR. ALL DIMENSIONS TO BE VERIFIED ON SITE PRIOR TO CONSTRUCTION. ALL WORK TO COMPLY WITH LOCAL AUTHORITY REGULATIONS.
-------------------------------	-------------------------------------	-----------------------	---

PRELIMINARY DESIGN-
Not for construction

